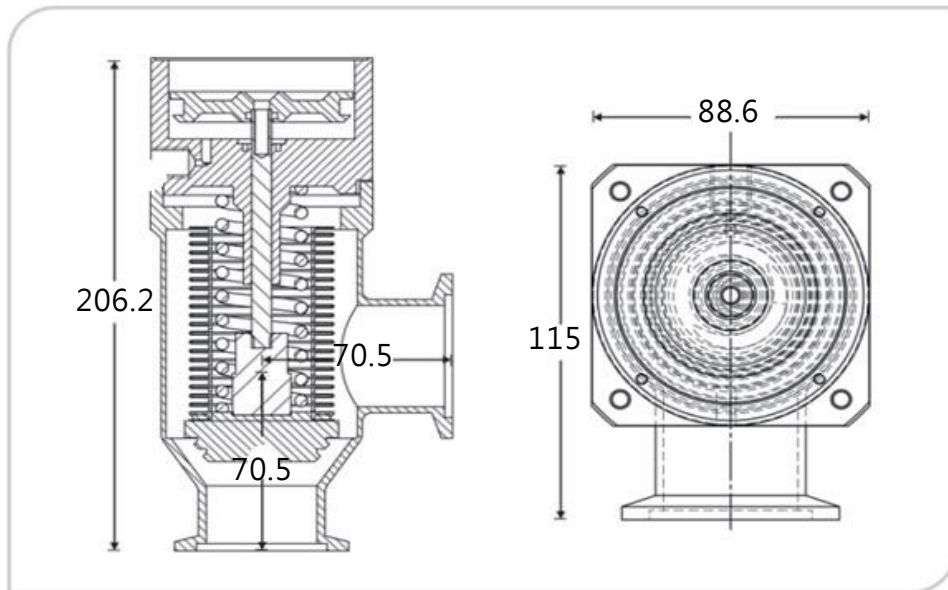


錦立真空氣動閥 NW40

NW40 CLI Vacuum Isolation Valves

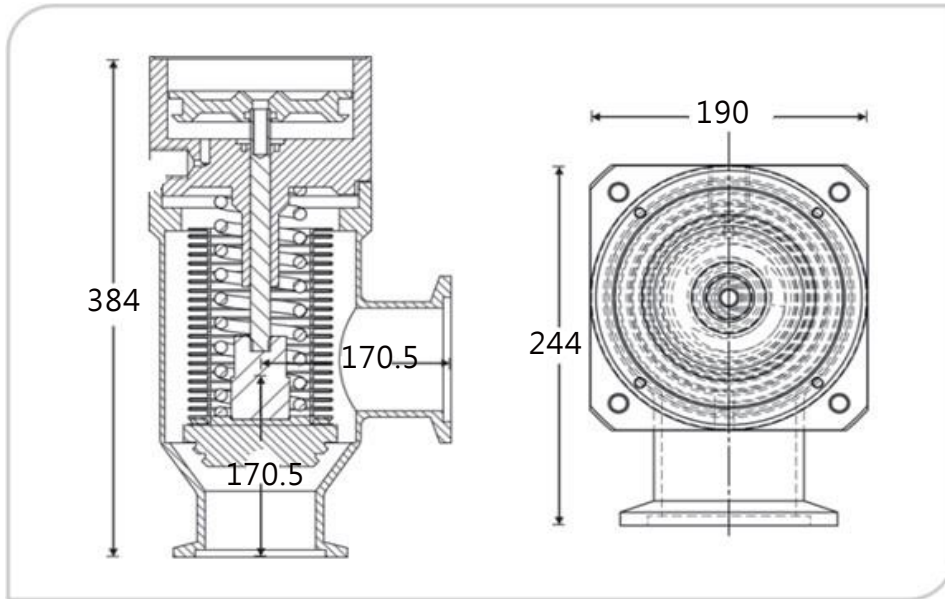


Technical Specs

Vacuum Range	1.0 x10 ⁻⁹ Torr	Actuation Time	Opening: 0.27 sec Closing: 0.53 sec
Body Configuration	Angle	Maximum Internal Spring Closing Pressure	60 psia
Port Size	NW40	Typical Life	1,000,000 cycles
Flange Size	NW40	Maximum Bakeout Temperature	150°C
Flange Type	ISO-KF	Weight	3.0 lbs
Helium Leak Rate	1.0 x 10 ⁻⁹ std cc/sec	Actuation	Pneumatic
Seal	Viton/FFKM		

錦立真空氣動閥 NW50

NW50 CLI Vacuum Isolation Valves

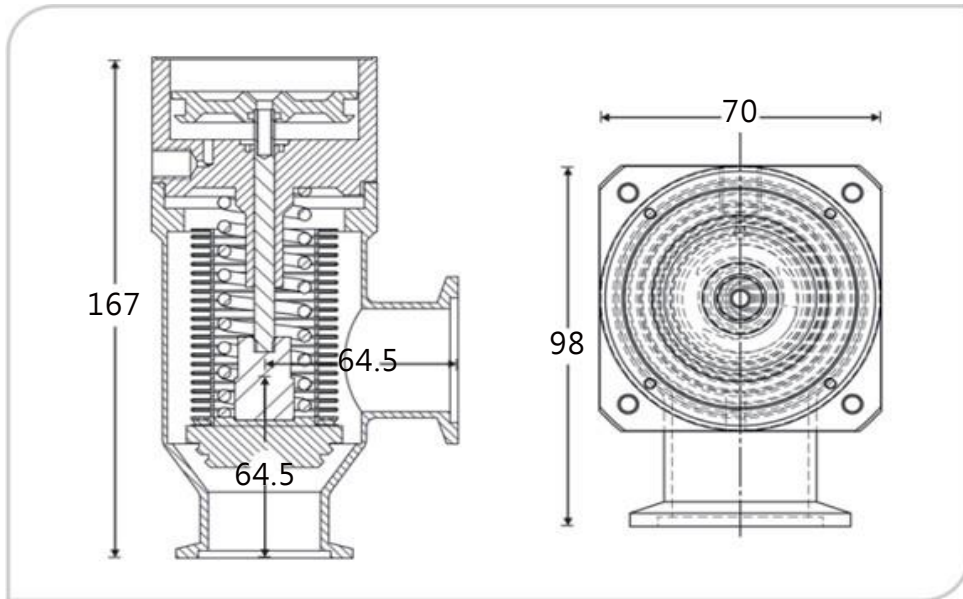


Technical Specs

Vacuum Range	1.0 x 10 ⁻⁹ Torr	Actuation Time	Opening: 0.45 sec Closing: 1.13sec
Body Configuration	Angle	Maximum Internal Spring Closing Pressure	60 psia
Port Size	NW50	Typical Life	1,000,000 cycles
Flange Size	NW50	Maximum Bakeout Temperature	150°C
Flange Type	ISO-KF	Weight	5.4 lbs
Helium Leak Rate	1.0 x 10 ⁻⁹ std cc/sec	Actuation	Pneumatic
Seal	Viton/FFKM		

錦立真空氣動閥 NW25

NW25 CLI Vacuum Isolation Valves



Technical Specs

Vacuum Range	1.0 x 10 ⁻⁹ Torr	Actuation Time	Opening: 0.12 sec Closing: 0.18 sec
Body Configuration	Angle	Maximum Internal Spring Closing Pressure	43 psia
Port Size	NW25	Typical Life	1,000,000 cycles
Flange Size	NW25	Maximum Bakeout Temperature	150°C
Flange Type	ISO-KF	Weight	1.6 lbs
Helium Leak Rate	1.0 x 10 ⁻⁹ std cc/sec	Actuation	Pneumatic
Seal	Viton/FFKM		